

Sensor-switched LED floodlight

LS 300 S

white
EAN 4007841 067588
Article number 067588



LED

30 Jahre (Ø 4,5 Std / Tag)

4000 K

4000K neutralweiß



Infrarot-Sensor
240°



Max. 10 m



IP44



2 - 1000 Lux



10 Sek - 15 Min



Energie sparen

3 years

Herstellergarantie



CE

Function description

Extremely bright, robust and vigilant: the LS 300 S sensor-switched floodlight. On-demand light for illuminating large areas around buildings. Infrared sensor with 240° angle of coverage and 12 m reach. Light output 2962 lm, colour temperature 4000 K, power consumption 29,5 W. Robust aluminium floodlight head. Available in black or white.

Technical specifications

Dimensions (L x W x H)	186 x 213 x 241 mm
With lamp	Yes, STEINEL LED system
With motion detector	Yes
Manufacturer's Warranty	3 years
Settings via	Potentiometers
Version	white
PU1, EAN	4007841067588
Application, place	Outdoors
Application, room	outdoors, all round the building, courtyard & driveway
Colour	white
Includes corner wall mount	No
Installation site	wall
Installation	Wall, Surface wiring
Impact resistance	IK03
IP-rating	IP44
Protection class	I

Electronic scalability	No
Mechanical scalability	No
Reach, radial	r = 3.5 m (26 m ²)
Reach, tangential	r = 12 m (302 m ²)
Photo-cell controller	Yes
Luminous flux total product	2704 lm
Measured luminous flux (360°)	2962 lm
Total product efficiency	92 lm/W
Colour temperature	4000 K
Colour variation LED	SDCM3
Lamp	LED cannot be replaced
LED life expectancy (max. °C)	50000 h
Service life LED L70B50 (25°)	> 36000 h
Drop in luminous flux in accordance with LM80	L70B10
LED cooling system	Passive Thermo Control
Soft light start	No

<https://www.steinel.de>

Subject to technical modifications

04.2024 Page 1 from 3

Sensor-switched LED floodlight

LS 300 S

white
EAN 4007841 067588
Article number 067588



Technical specifications

Ambient temperature	-10 – 30 °C
Housing material	Aluminium
Cover material	Glass transparent
Mains power supply	220 – 240 V / 50 – 60 Hz
Power consumption	30,4 W
Mounting height max.	4,00 m
Sneak-by guard	Yes
Capability of masking out individual segments	Yes

Twilight setting	2 – 1000 lx
Time setting	10 s – 15 Min.
Basic light level function	No
Interconnection	No
Output	29,5 W
Colour Rendering Index CRI	= 80
Optimum mounting height	2 m
Detection angle	240 °

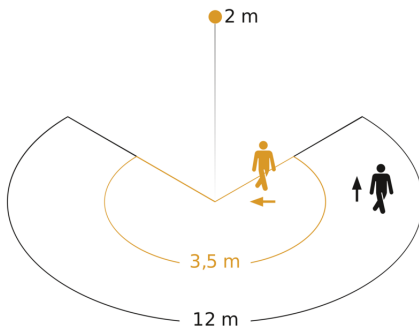
Sensor-switched LED floodlight

LS 300 S

white
EAN 4007841 067588
Article number 067588

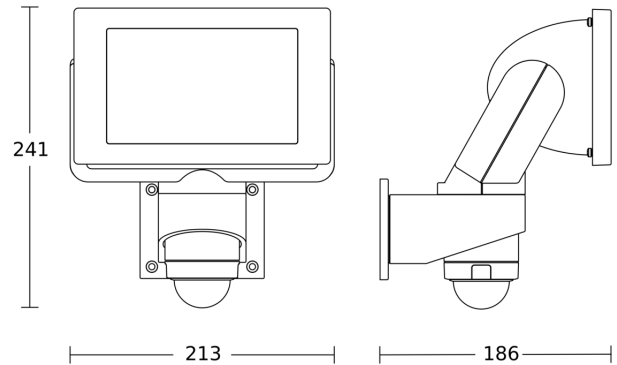


Detection Zone



Possible mounting height: 1,80 m - 4,00 m
Orange: radial
Black: tangential

Dimension Drawing



Circuit diagram

